

ELECTRIC WINCH

USER MANUAL



Read this manual before use.

ROSI
Teh

www.rositeh.com

USER MANUAL – OPERATING INSTRUCTIONS

Any use of the winch may involve a risk of personal injury and property damage. To reduce this risk, follow the instructions below:

- Carefully read this manual before installing or using the winch.
- Familiarize yourself with the operation of the winch before first use.
- Always put safety first when operating the winch.

This manual contains important safety information and detailed instructions for the correct installation and operation of the winch.

KEEP THIS MANUAL and all accompanying documentation to ensure safe use of the winch. Inform all users of this product to carefully read this manual before use.













For safe operation, strictly follow all instructions and recommendations provided in this manual. This will ensure safe operation of the device and help protect both yourself and others. Proper use, maintenance, and storage of the winch are essential for its efficiency and long service life.

Improper use of the winch can be extremely dangerous for the operator and surrounding persons and may result in serious injury or even death. Therefore, carefully read and follow all instructions in this manual before use.

The safety precautions and procedures described in this manual cannot cover all possible circumstances and situations that may arise when working with the winch. Always use sound judgment and exercise the highest possible level of caution.

The parameters stated in this manual and in the product descriptions represent the maximum permissible values and not the recommended working loads. For your safety and the safety of others, we recommend loading the winch to no more than 80% of its maximum capacity. If you already know that the winch will be used near its load limits, we recommend choosing a more powerful model. The pulling capacity of the winch also depends on terrain incline, ground conditions, and other working conditions.

ROSI
Teh

SYMBOL		EXPLANATION	SYMBOL		EXPLANATION
		Read all product literature			Always wear leather gloves
		Always wear hearing and eye protection			Do not move people
		Never use winch as a hoist			Always use supplied hook strap
		Properly seat load in the throat of the hook			Never apply load to hook tip or latch
		Wind rope onto the bottom of the drum			Never wind rope over the top of the drum
		Finger crushing hazard			Fairlead pinch point
		Hand piercing/cutting hazard			Hot surface hazard
		Explosion hazard			Fire and burn hazard
		Never route electrical cables across sharp edges			Never route electrical cables through or near moving parts
		Avoid installing electrical cables around pinch and abrasion points			Additionally insulate exposed wires.
		Clutch disengaged			Never hook back on rope
 		Avoid side pulls	 		Never hook the wire rope back onto itself

GENERAL SAFETY PRECAUTIONS



As you read these instructions, you will see **WARNINGS, CAUTIONS, NOTICES, and NOTES**. Each has a specific purpose:

- **WARNINGS** are safety messages indicating a potentially hazardous situation that, if not avoided, could result in serious injury or death.
- **CAUTIONS** are safety messages indicating a potentially hazardous situation that, if not avoided, could result in minor or moderate injury.
- **NOTICES** are messages intended to help you avoid property damage.
- **NOTES** provide additional information to help you complete a procedure.

FCC Compliance Statement

This device complies with Part 15 of the FCC Rules. Operation is subject to the following two conditions.

This winch has been tested and found to comply with the limits for a Class B digital device, pursuant to Part 15 of the FCC Rules. These limits are designed to provide reasonable protection against harmful interference in installation. This winch generates, uses, and can radiate radio frequencies. If it is not installed and used in accordance with the instructions, it may cause harmful interference to radio communications. However, there is no guarantee that interference will not occur in a particular installation. If this equipment does cause harmful interference to radio or television reception (which can be determined by turning the equipment off and on), the user is encouraged to try one or more of the following corrective measures:

- reorient or relocate the receiving antenna,
- increase the separation between the equipment and the receiver,
- connect the equipment to an outlet on a different circuit than the one to which the receiver is connected,
- consult the dealer or an experienced technician for assistance.

MOVING PARTS ENTANGLEMENT HAZARD



Failure to follow these instructions could result in serious injury or death.

Winching Safety:

- **Know your winch** – Read the entire instruction manual to fully understand the winch and its operation before use.
- **Do not exceed rated capacity** – Never exceed the rated capacity of the winch or winch rope. Use a double line with a pulley to reduce the load on the winch.



- Wear protective gloves – Always wear heavy leather gloves when handling winch rope.
- **Do not tow with the winch** – Winch and winch rope are not designed for towing. Shock loads can damage, overload, and break the rope.
- **Do not use for load securing** – Never use the winch to secure a load.
- **No impaired operation** – Never operate the winch under the influence of drugs, alcohol, or medication.
- **Minimum age requirement** – Do not operate the winch if you are under 16 years of age.

Installation Safety:

- **Select a strong mounting location** – Choose a location capable of withstanding the winch's maximum pulling capacity.
- **Use correct hardware** – Always use quality bolts.
- **Do not weld bolts** – Welding can weaken the bolt and compromise safety.
- **Use factory-approved components** – Only use mounting components and accessories specified by the manufacturer.
- **Check bolt length** – Never use bolts that are too long to ensure proper thread engagement.
- **Install winch before wiring** – Complete winch installation and hook attachment prior to connecting wiring.
- **Keep hands clear** – During installation, operation, and spooling in or out, keep hands away from the winch rope and hook.

General Safety:

- **Inspect before use** – Check winch rope, hook, and slings before operating. Replace frayed, kinked, or damaged rope immediately. Replace any damaged components before operation and protect parts from damage.
- **Clear the work area** – Remove any obstacles or elements that could interfere with safe winch operation.
- **Secure your anchor** – Ensure the anchor can withstand the load and that the strap or chain will not slip.
- **Use the hook strap** – Always use the supplied hook strap when spooling the rope in or out, during installation, and during operation.
- **Maintain awareness** – Ensure both operators and bystanders are aware of the vehicle and load. Keep others away from the winching area.
- **Watch stability** – Monitor the stability of the vehicle and load at all times. Warn bystanders if instability occurs.
- **Maximize rope use** – Unspool as much winch rope as possible when rigging. Use a double line or select a distant anchor point to reduce load on the winch.
- **Use proper rigging** – Take time to set up safe and effective rigging techniques for each pull.
- **Hands off during operation** – Never touch the winch rope or hook while someone else is at the control switch or during operation.
- **Do not engage clutch under load** – Never engage or disengage the clutch when the winch rope is under tension, the winch is loaded, or the drum is moving.



- **Stay clear of the load path** – Keep yourself and others away from the rope and load while winching.
- **Do not pull with the vehicle** – Never use the vehicle to pull a load on the winch rope. Combined or shock loads can damage, overload, and break the rope.
- **Avoid rope-on-rope contact** – Never wrap the winch rope back onto itself. Use a choker chain or tree trunk protector for anchoring.
- **Operate within sight** – Never use the remote if the vehicle is not within the operator's line of sight.
- **One winch, one remote** – Never connect more than one winch to a single remote at the same time.

CHEMICAL AND FIRE HAZARD



Failure to follow these instructions could result in serious injury or death:

- **Remove jewelry & protect eyes** – Always remove all jewelry and wear appropriate eye protection when working with electrical components.
- **Avoid cable hazards** – Never route electrical cables across sharp edges, near hot parts, or through/near moving parts.
- **Use protective boots** – Always install the supplied terminal boots on wires and terminals as directed in the installation instructions.
- **Stay clear of battery during connections** – Never lean over the battery while making connections.
- **Avoid terminal contact** – Never route cables over battery terminals and never short battery terminals with metal objects.
- **Follow wiring instructions** – Always consult the operator's manual for proper wiring procedures.
- **Insulate exposed connections** – Insulate and protect all exposed wiring.
- **Correct cable polarity**
 - Connect the red (+) power cable only to the positive (+) battery terminal.
 - Connect the black (-) ground cable only to the negative (-) battery terminal.



FALLING OR CRUSHING HAZARD



Failure to follow these instructions could result in serious injury or death:

- **Stay clear** – Always stand clear of the winch rope, keep hands away from pinch points, and ensure bystanders remain at a safe distance.
- **Maintain minimum wraps** – Never operate the winch with fewer than 5 wraps of wire rope or 10 wraps of synthetic rope on the drum. The rope attachment to the drum is not designed to hold a load without these wraps.
- **Do not hoist or suspend loads** – Never use the winch as a hoist or to suspend any load.
- **Verify anchor strength** – Ensure the anchor can withstand the load. Use appropriate rigging and take time to set it up correctly.
- **No lifting of persons** – Never use the winch to lift or move people.
- **Avoid excessive free-spooling force** – Do not use excessive effort to free spool the rope.
- **Use proper lifting techniques** – When handling or installing the winch, use proper posture and lifting technique, or get assistance.
- **Correct rope winding** – Always wind the winch rope onto the bottom (mount side) of the drum. Never wind rope over the top of the drum.
- **Follow drum rotation labels** – Always spool the winch rope in the direction specified by the drum rotation labels on the winch or in the documentation.
-

CUT AND BURN HAZARD



Failure to follow these instructions could result in serious injury or death.

To avoid injury to hands and fingers:

- **Wear protective gloves** – Always wear heavy leather gloves when handling winch rope.
- **Beware of hot surfaces** – Be alert for possible hot surfaces on the winch motor, drum, or rope during and after winch operation.
- **Do not allow rope to slip through your hands** – Always maintain a firm grip and wear heavy leather gloves when handling winch rope

MOVING PARTS ENTANGLEMENT HAZARD



Failure to follow these instructions could result in serious injury or death.

To avoid injury to hands and fingers:

- **Secure the remote** – Never leave the winch remote control where it could be accidentally activated during free-spooling, rigging, or when the winch is not in use.
- **Turn off wireless remotes** – Never leave a wireless winch remote turned on when installing, free-spooling, rigging, servicing the winch, or when the winch is not in use.

AVOID WINCH AND EQUIPMENT DAMAGE

- **Avoid side pulls** – Do not pull from extreme angles. Side pulls can cause the rope to pile up on one end of the drum, which may damage the rope or winch.
- **Check clutch position** – Always ensure the clutch is fully engaged or fully disengaged before operating.
- **Avoid submersion** – Never submerge the winch.
- **Store remote properly** – Keep the remote control in a clean, dry, and protected area when not in use.
- **Do not hook onto rope** – Never hook the winch rope back onto itself. Instead use a strap or proper anchor attachment to prevent rope damage.



SAFETY

- When installing the winch system, read and follow all mounting and safety instructions in this manual.
- Always use caution when working with electricity. Before energizing the winch circuit, verify that no exposed electrical connections are present.
- For specifications and performance data, refer to the specification included in this manual.



IMPORTANT!

For your safety when working with the winch, always switch off the disconnect switch or high-current switch when you finish working. The disconnect switch allows for emergency shutdown and safe disconnection of the winch from the power supply when it is not in use. It is not included and must be ordered separately.



SPOZNAJTE SVOJ VITEL

Preden začnete, se morate seznaniti z vitlom in vsako njegovo komponento.

RS-2500

Rated line pull: 2500 lbs (1130 kg)

Motor: 12V DC, 3.0 HP, Sealed

Controls: Wired controller

Gear train: 1-Stage Planetary

Gear ratio: 153:1

Clutch: Sliding Pin

Drum diameter / length: 38 x 72 mm

Rope: Galvanized Steel Wire (4,8 mm x 9,5 m)

Recommended battery: Minimum 12 Ah

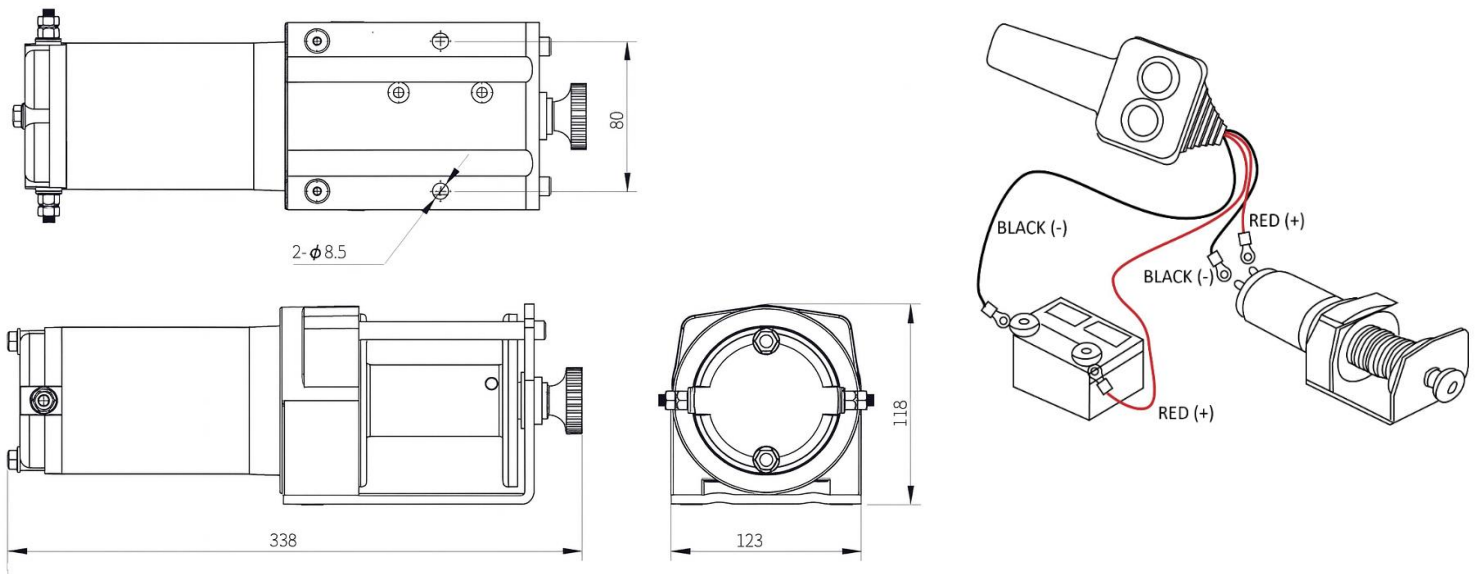
Mounting bolt pattern: 80 x 130 mm

Winch dimensions: 338 x 123 x 118 mm

Winch weight: 7,5 kg

Package weight: 8,8 kg





LINE PULL AND ROPE CAPACITY LAYER						
Layer of cable		1	2	3	4	5
Rated line pull	lbs.	2500	2370	1960	1670	1460
	Kg	1135	1075	889	756	662
Cable of layer	M	2,7	4,9	7,8	11,3	13

LINE SPEED & AMP DRAW-FIRST LAYER					
Line pull	lbs.	0	1000	2000	2500
	Kg		454	907	1135
Line Speed	Mpm	3,20	2,29	1,10	0,70
Amp	A	11	60	92	150

RS-3500

Rated line pull: 3.500 lbs (1587 kg)

Motor: 12V DC, 3.3 HP / 3.5 HP Sealed

Controls: Wired controler or wireless remote controller

Gear train: 2-stage planetary

Gear ratio: 271:1

Clutch: Rotating pin

Drum diameter / length: 38 x 74 mm

Rope: Synthetic rope (5,5 mm x 10 m)

Recommended battery: min. 12 Ah

Mounting bolt pattern: 76,2 x 124 mm

Winch dimensions: 320 x 114 x 120 mm

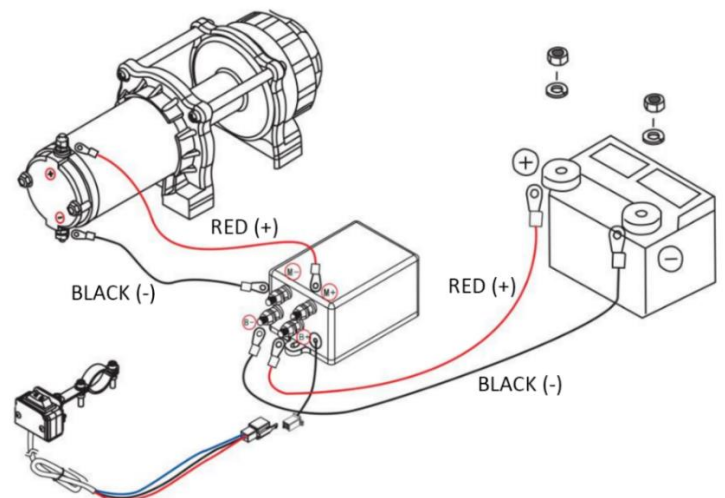
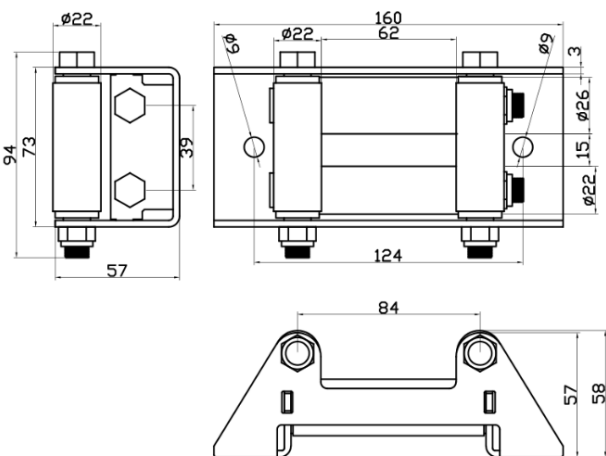
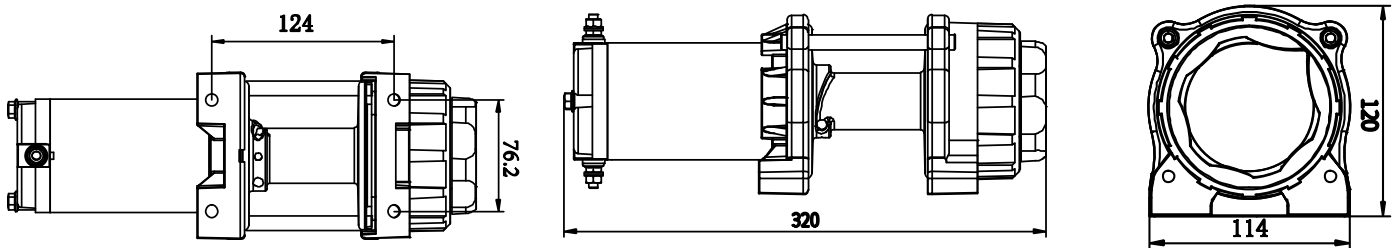
Shipping weight (wire rope): 12 kg

Shipping weight (syntethic rope): 10 kg



LINE PULL AND ROPE CAPACITY LAYER					
Layer of cable		1	2	3	4
Rated line pull	lbs	3500/4500	2934/3840	2524/3309	2215/2907
	Kg	1587/2041	1331/1742	1145/1501	1005/1319
Cable of layer	m	2,6	5,7	9,1	13

LINE SPEED & AMP DRAW-FIRST LAYER							
Line pull	Lbs	0	1000	2000	2500	3500	4500
	Kg	0	454	907	1134	1587	2041
Line Speed	m/min	4,4	3,0	2,5	2,2	1,8	1,4
Amp	A	35	92	120	150	180	220



RS-8000

Rated line pull: 8000 lbs (3630 kg)

Motor: 12V DC, 6 HP, sealed

Controls: Wired or wireless remote controller

Gear train: 3-stopenjski planetarni

Gear ratio: 216:1

Clutch: Rotating pin

Drum diameter / length: 64 x 134 mm

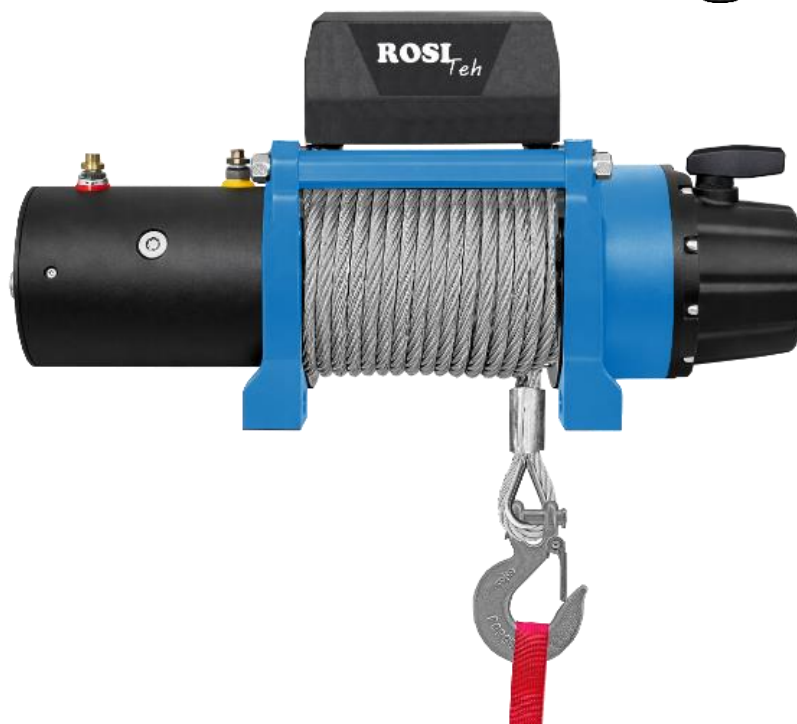
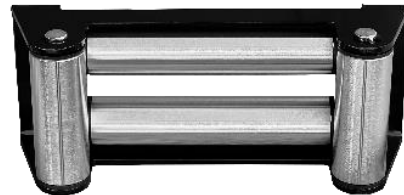
Rope: Galvanized steel wire (8,5 mm x 15 m)

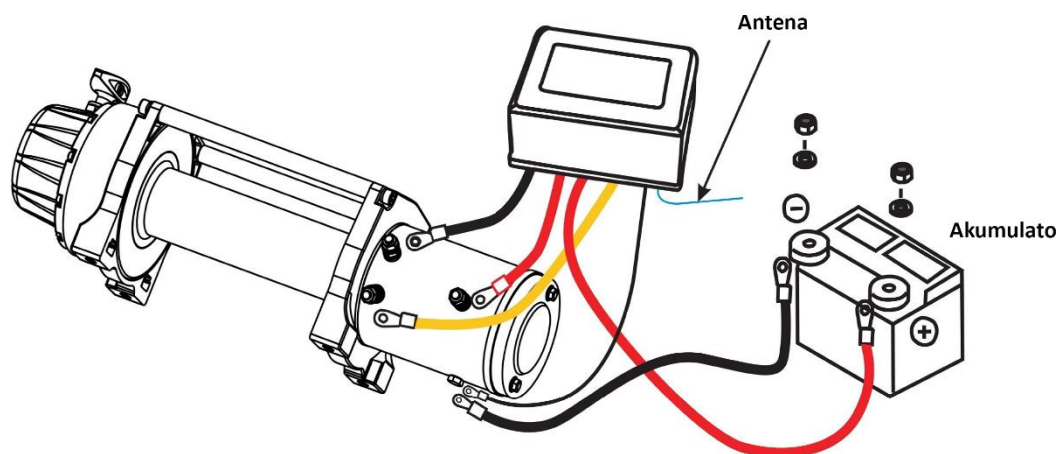
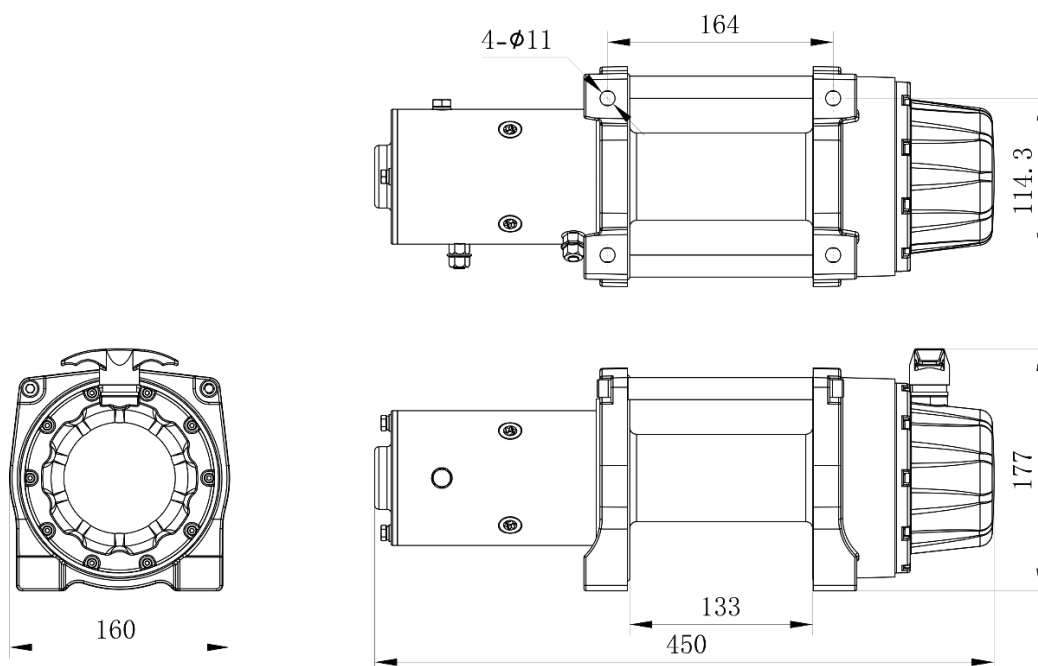
Mounting bolt pattern: 164 x 114,3 mm

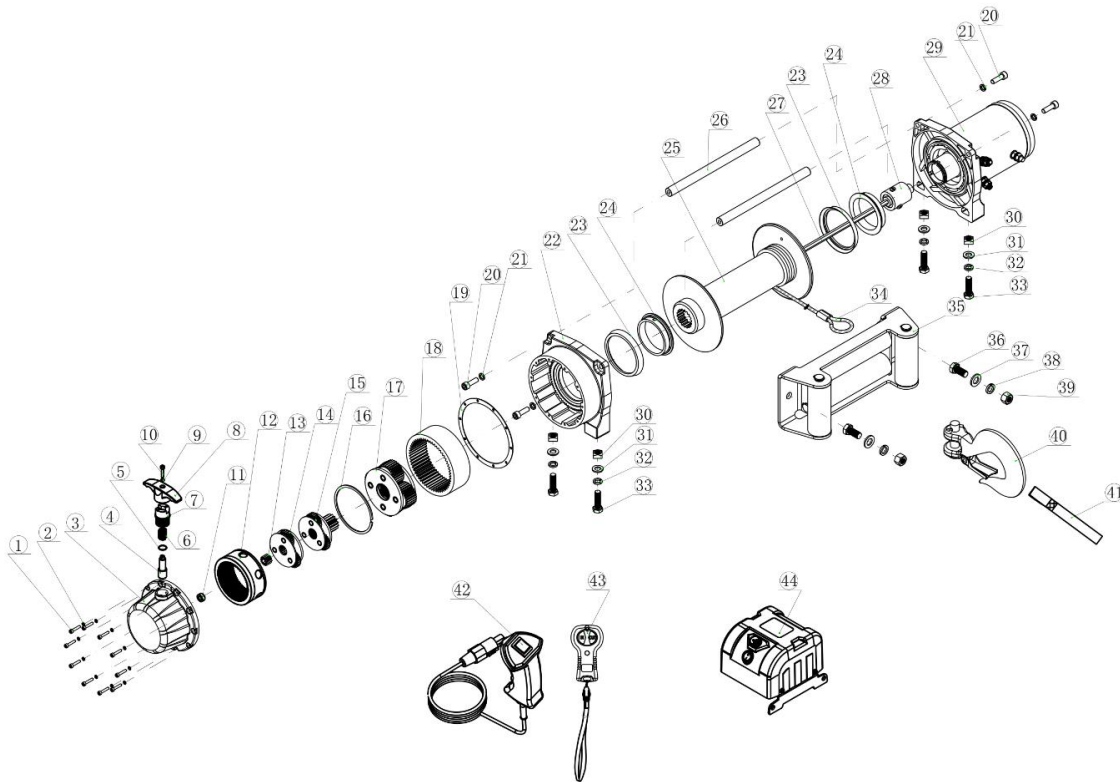
Winch dimensions: 450 x 160 x 177 mm

Package dimensions: 560 x 245 x 330 mm

Weight: 24 kg (wired rope)







Number	Name of the part	Quantity
1	Screws M4x16	10
2	4 mm Washer	10
3	Gearbox Cover	1
4	Clutch Pin	1
5	O-Ring	1
6	Spring	1
7	Clutch	1
8	Clutch Handle	1
9	Spring Washer	1
10	Screw	1
11	Seal	1
12	Inner Ring of 1st and 2nd Stage	1
13	Gear	1
14	1st Stage Planetary Gear	1
15	2nd Stage Planetary Gear	1
16	Snap Ring	1
17	3rd Stage Planetary Gear	1
18	3rd Stage Inner Gear Ring	1
19	Washer	1
20	Screws M8x25	4
21	8 mm Spring Washer	4

22	Gearbox Housing	1
23	Shaft Seal	2
24	Bearing	2
25	Drum	1
26	Support Bar	2
27	Drive Shaft	2
28	Brake Assembly	1
29	Motor Assembly	1
30	M10 Square Nut	4
31	M10 Flat Washer	4
32	10 mm Spring Washer	4
33	Screws M10x35	4
34	Steel Cable	1
35	Roller Fairlead	1
36	Screws M12x25	2
37	12 mm Flat Washer	2
38	12 mm Spring Washer	2
39	M12 Nut	2
40	Hook	1
41	Safety Strap	1
42	Wired Controller	1
43	Wireless Remote Controller	1
44	Control Unit	1



RS-12000

Rated line pull: 12000 lbs (5440 kg)

Motor: 12/24V DC, 6 HP, sealed

Controls: Wired or wireless remote controler

Gear train: 3-stopenjski planetarni

Gear ratio: 265:1

Clutch: Rotating pin

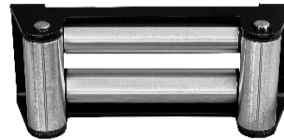
Drum diameter / length: 64 x 224 mm

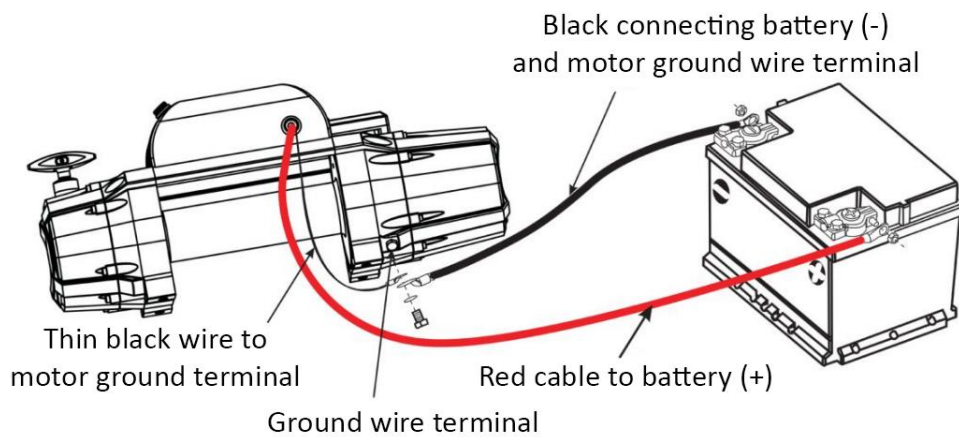
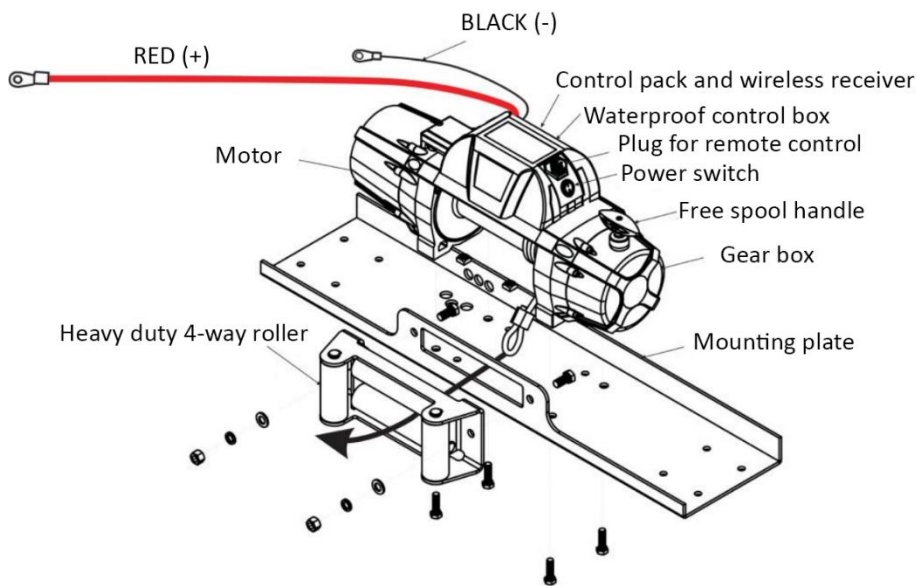
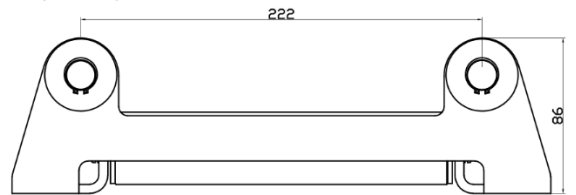
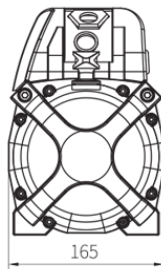
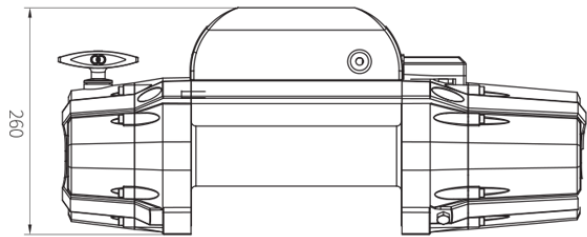
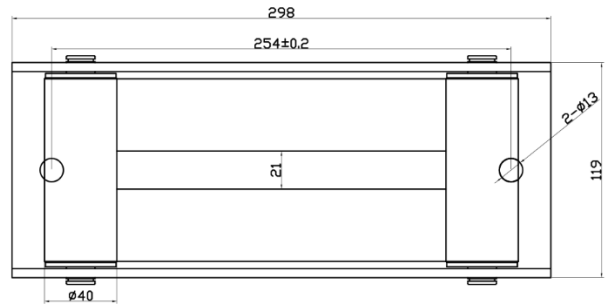
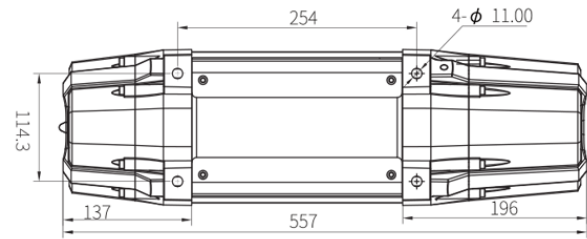
Rope: synthetic rope (9,5 mm x 26 m)

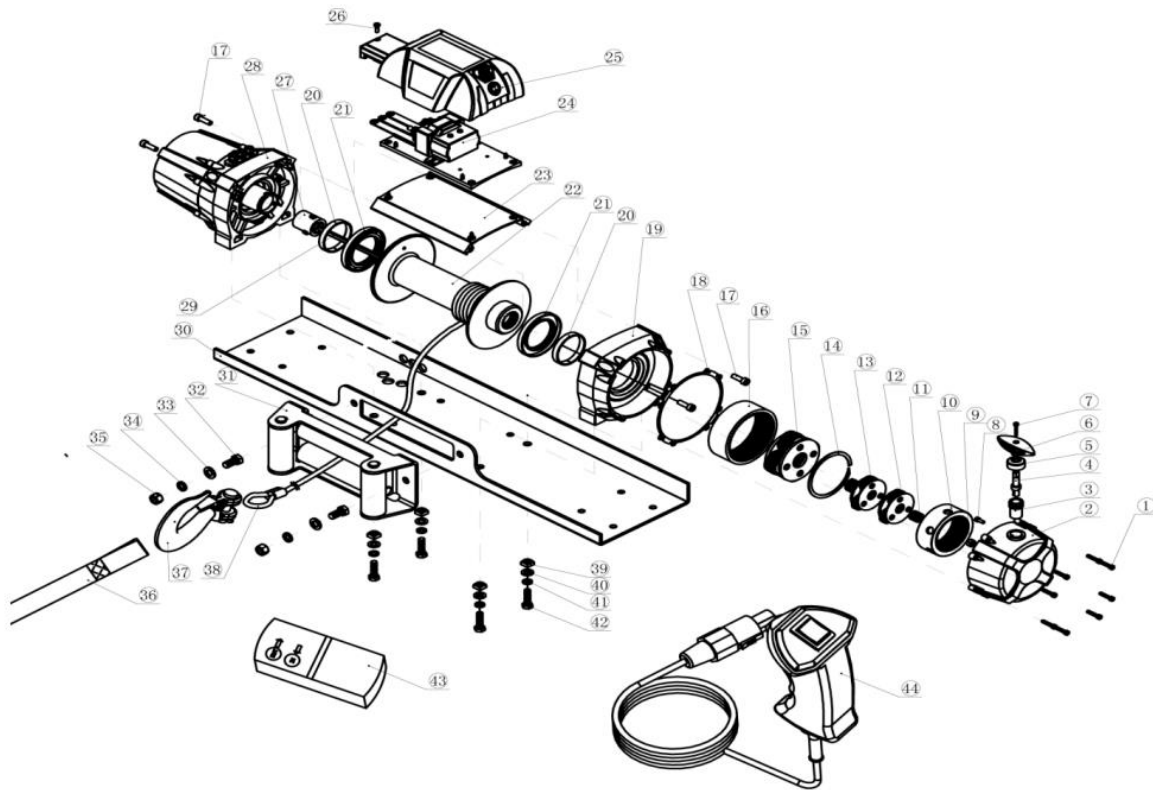
Mounting bolt pattern: 254 x 114 mm

Winch dimensions: 557 x 165 x 260 mm

Weight: 32 kg (synthetic rope)







Number	Name of the part	Quantity
1	Screws M5x25	8
2	Clutch Cover	1
3	Clutch Base	1
4	Clutch	1
5	Nut	1
6	Clutch Handle	1
7	Screws M4x20	1
8	5M Screw Set	1
9	Bearing	1
10	Inner Gear Ring	1
11	Hexagonal Gear	1
12	1st Stage Planetary Gear	1
13	2nd Stage Planetary Gear	1
14	Flexible Retaining Ring	1
15	3rd Stage Planetary Gear	1
16	3rd Stage Inner Gear Ring	1
17	Screws M8x25	4
18	Spacer	1
19	Clutch Base	1
20	Bearing	2
21	Seal	2

22	Drum	1
23	Support Plate	1
24	Solenoid	1
25	Control Box Cover	1
26	Screw M4.8x20	1
27	Brake	1
28	Motor	1
29	Shaft	1
30	Mounting Plate	1
31	Roller Fairlead	1
32	Screws M12x25	2
33	12 mm Washer	2
34	12 mm Spring Washer	2
35	M12 Nut	2
36	Safety Strap	1
37	Hook	1
38	Steel Cable	1
39	M10 Nut	4
40	10 mm Washer	4
41	10 mm Spring Washer	4
42	Screws M10x35	4
43	Wireless Remote Controller	1
44	Wired Controller	1



RS-20000

Rated line pull: 20000 lbs (9072 kg)

Motor: 12V DC, 7,8 HP (5,8 kW), sealed

Controls: Wired or wireless remote controler

Gear train: 4-stopenjski planetarni

Gear ratio: 469:1

Clutch: Rotating pin

Drum diameter / length: 89 x 224 mm

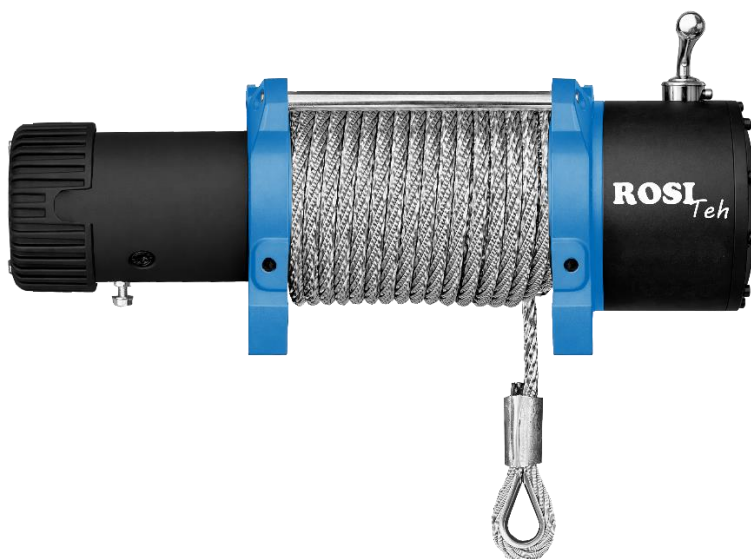
Rope: Galvanized steel wire (12 mm x 26 m)

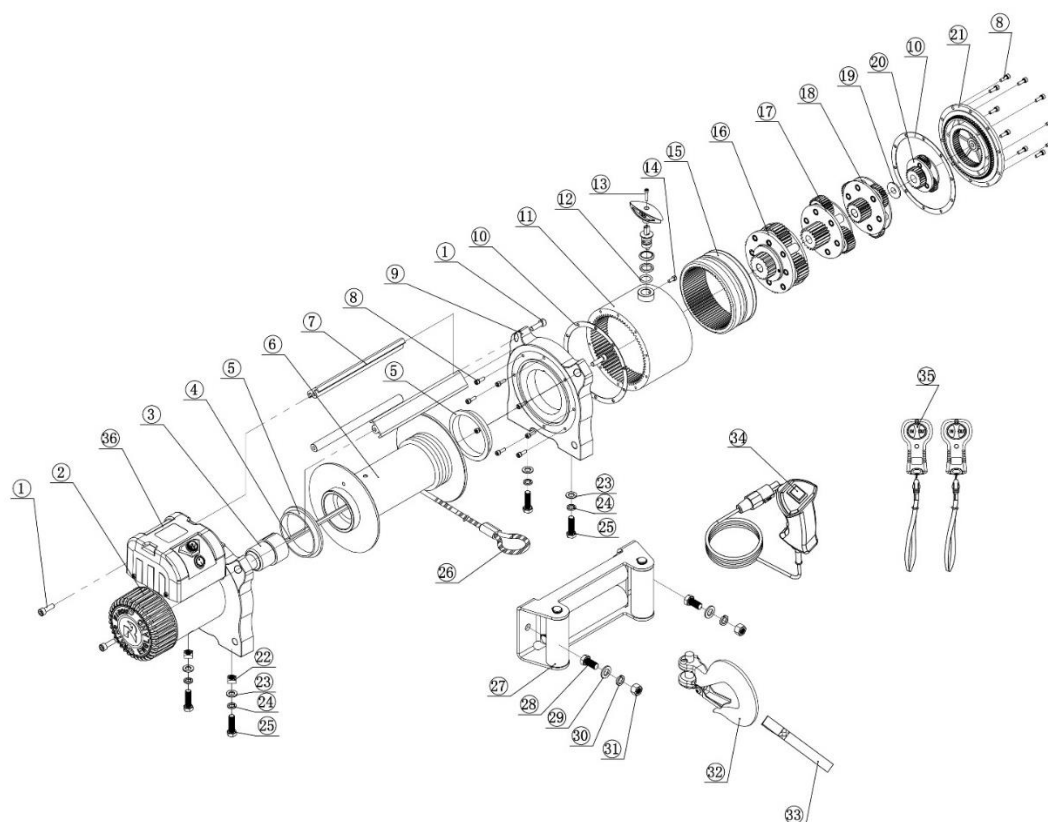
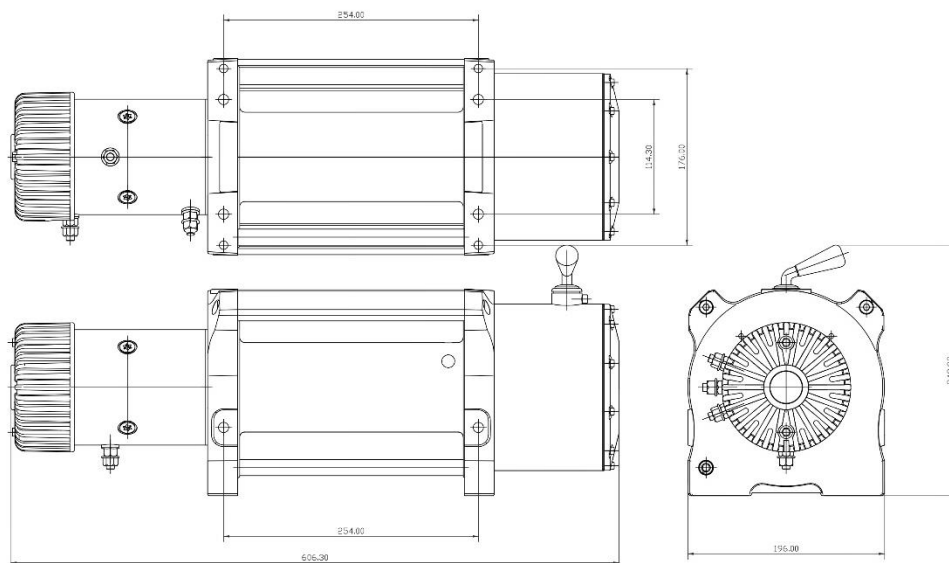
Mounting bolt pattern: 254 x 114,3 mm

Winch dimensions: 618 x 196 x 260 mm

Package dimensions: 625 x 235 x 385 mm

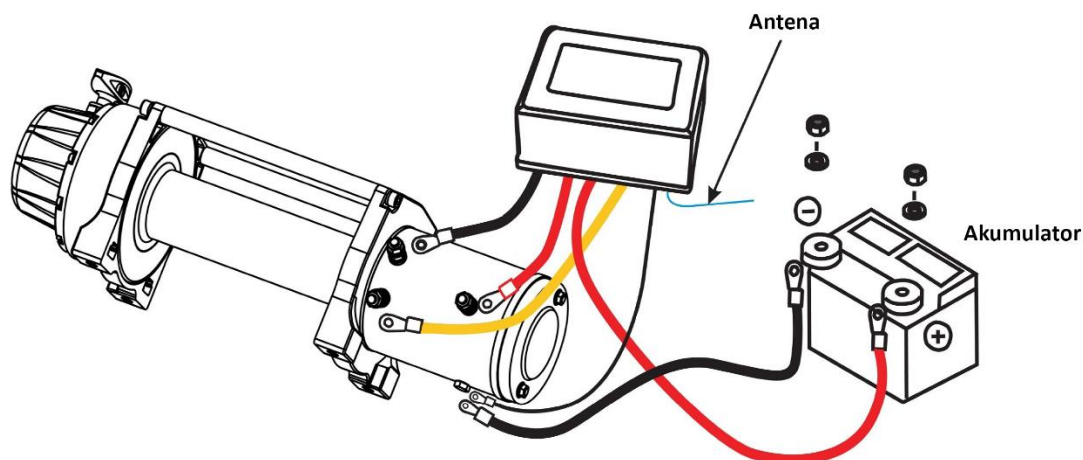
Weight: 59,6 kg (wired rope)





Number	Name of the part	Quantity
1	Screws M8x25	4
2	Motor Assembly	1
3	Brake Assembly	1
4	Drive Shaft	1
5	Nylon Bearing	2

6	Drum	1
7	Support Bar	3
8	Screws M5x16	18
9	Gearbox Bracket	1
10	Washer	2
11	Gearbox Housing	1
12	Clutch Handle	1
13	Screws M4x16	1
14	Screws M5x10	1
15	Inner Gear Ring	1
16	4th Stage Planetary Gear	1
17	3rd Stage Planetary Gear	1
18	2nd Stage Planetary Gear	1
19	Spacer	1
20	1st Stage Planetary Gear	1
21	Gearbox Cover	1
22	M12 Square Screw	4
23	12 mm Flat Washer	4
24	12 mm Spring Washer	4
25	Screws M12x35	4
26	Steel Cable	1
27	Roller Fairlead	1
28	Screw M12x25	2
29	12 mm Flat Washer	2
30	12 mm Spring Washer	2
31	M12 Nut	2
32	Hook	1
33	Safety Strap	1
34	Wired Controller	1
35	Wireless Remote Controller	1
36	Control Unit	1

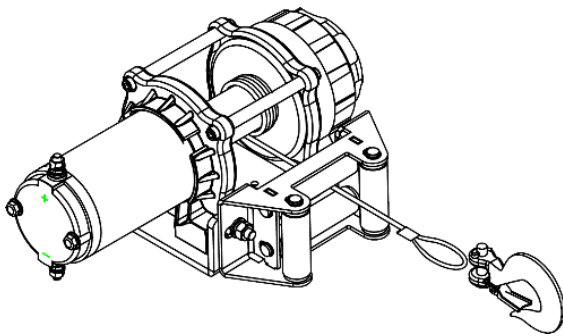


MOUNTING

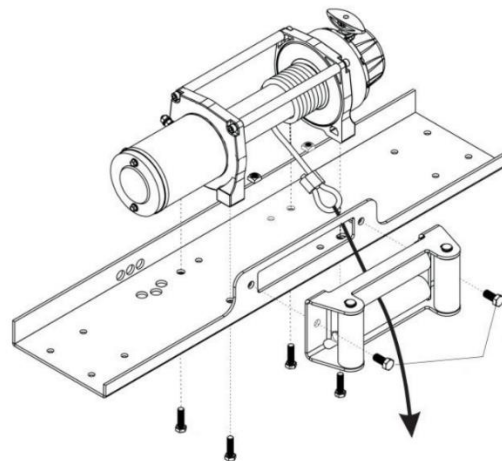
Important safety instructions for winch installation:

- **Prevent accidental activation** – Complete the winch installation and attach the hook before installing the wiring to avoid unintentional operation and serious injury.
- **Select a strong mounting location** – Ensure the mounting surface can withstand the maximum pulling capacity of the winch.
- **Correct rope spooling** – Always spool the winch rope in the direction indicated by the drum rotation labels on the winch or in the documentation. Proper direction is required for the automatic brake (if equipped) to function correctly.
- **Wind rope on the mount side** – The rope must always wind onto the bottom (mount side) of the drum.
- **Horizontal mounting only** – Mount the winch in a horizontal orientation, with the rope winding on and off the mount side (bottom) of the drum. Horizontal mounting prevents the rope from piling up on one end, which could damage the winch.
- Always use recommended bolt and washer combinations torqued to recommended levels.

SMALLER WINCHES



BIGGER WINCHES


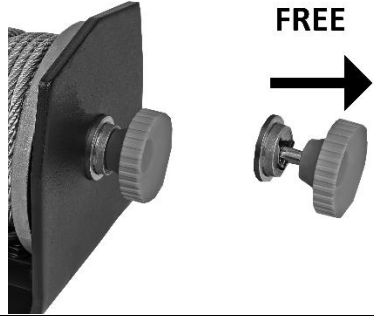

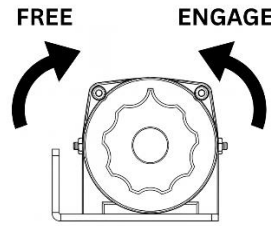

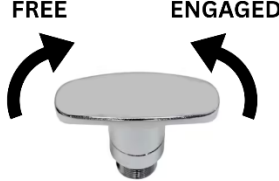


WINCH ROLLERS

Winch rollers are a guiding assembly mounted at the front of a winch to direct the steel cable or synthetic rope smoothly onto the drum during pulling operations. They reduce friction, minimize wear on the cable, and prevent damage to the winch housing by keeping the rope aligned. Winch rollers are common on off-road vehicles, trailers, recovery trucks, and industrial winches where cable longevity and controlled rope feeding are essential.

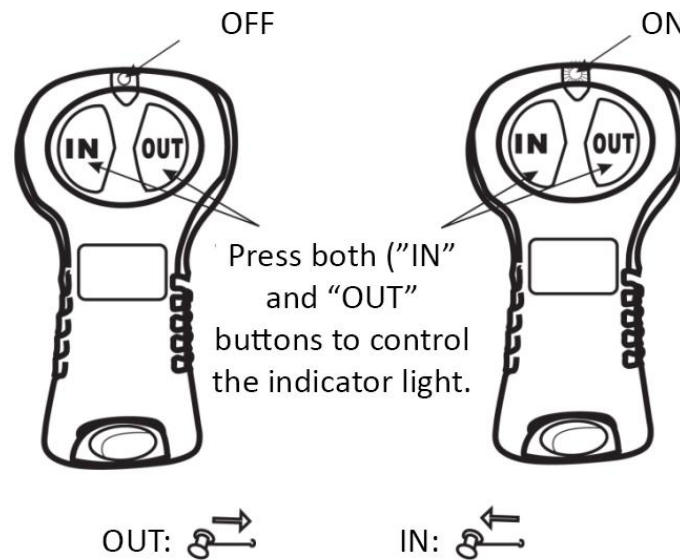
Key Benefits:

- **Cable protection** – Prevents fraying and abrasion caused by sharp winch housing edges.
- **Smooth operation** – Allows the rope to feed evenly under load, even when pulling from an angle.
- **Extended lifespan** – Reduces strain and wear on both the rope and winch components.
- **Improved safety** – Keeps the rope from jumping or snagging during use.

WINCH (example)	CLUTCH	FREE SPOOL OPERATION
	Pull and push	
	Rotate	
	Turn	

WIRELESS REMOTE CONTROLER

Before beginning operation, familiarize yourself with the Wireless Remote Control and its functions.



Important Notes:

- Turn off the remote (indicator light off) when not in use to prevent battery drain.
- The battery is in the back of the remote — keep it away from water.
- Replace the battery regularly to ensure reliable performance.

MAINTENANCE

Check	Before first operation	After each use	Every 90 days
Read the instructions fully to understand winch operation.	✓		
Check all fasteners for proper torque; replace any damaged fasteners.	✓		✓
Verify wiring to all components is correct and all connections are tight.	✓		✓
Ensure no exposed/bare wiring, damaged terminals, or cable insulation; cover exposures with terminal boots and repair/replace damaged cables.	✓		✓
Inspect rope for damage; replace immediately if damaged.	✓	✓	✓
Keep winch, rope, and switch control free from dirt and debris; clean with a rag or towel.		✓	
Check and replace the battery in the wireless remote control if necessary.	✓		✓
Turn off the power after use.	✓	✓	✓



TROUBLESHOOTING

If the winch fails to operate after several attempts, or if it malfunctions during operation, check the following:

Symptom	Possible cause	Remedy
Winch will not operate	Circuit cut or loose connection	Check battery cable
	Remote battery is critically low	Replace or recharge battery
	Wireless signal strength is low	Reduce distance between remote control and winch
	Damaged overload protector	Replace overload protector
	Loose wiring connections	Check and tighten all wiring
	Damaged or stuck solenoid	Replace solenoid
	Defective remote control	Test winch operation with an auxiliary switch
	Damaged motor or worn carbon brush	Replace motor or carbon brush
	Winch control pack is underwater (wireless signal cannot transmit)	Move control pack above water
Motor runs in one direction	Broken wiring or bad connection	Reconnect or replace wiring
	Damaged or stuck solenoid	Replace solenoid
	Inoperative switch	Replace switch
	Dropped or lost wiring connection	Reconnect or replace wiring and tighten
Drum will not free spool	Free spool not disengaged	Disengage free spool
	Damaged brake or free spool assembly	Replace brake or free spool assembly
	Damaged gearbox	Replace gear box
No brake	Damaged on inoperative pressure spring	Replace pressure spring
	Free spool disengaged	Engage free spool
	Damaged inner gear plate	Replace inner gear plate
	Damaged inner gear	Replace inner gear
Winch runs in the opposite direction	Motor leads crossed	Reverse electric connections to motor

ADDITIONAL TIPS

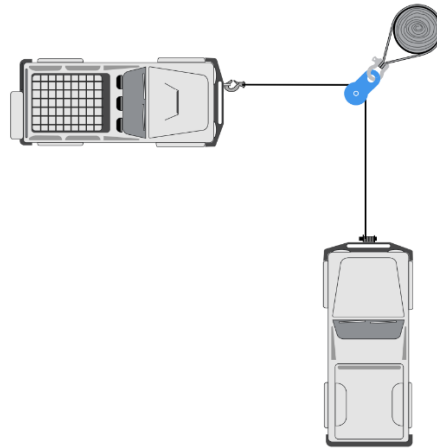
Using a pulley significantly increases the pulling power of the winch.

Each pulley used in a winch pull increases the overall pulling power of the winch. However, with every additional pulley, the winching speed is reduced. In many recovery situations, a slower, more controlled pull is safer and more effective.

A pulley serves two main purposes in recovery winching:

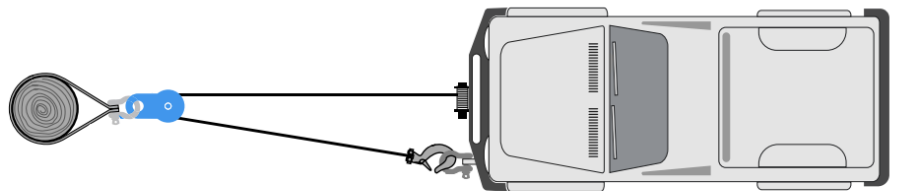
- Change the direction of the winch line when the anchor point is offset.
- Increase the pulling power of the winch for more effective recoveries

USING A PULLEY TO CHANGE PULLING DIRECTION

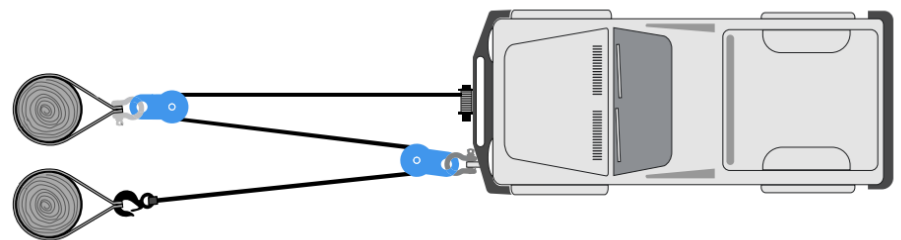


USING A PULLEY TO INCREASE WINCH PULLING POWER

Double line



Triple line





CERTIFICATE

No. 3N241112.NHRSC88

Test Report / Technical Construction File no. MTZ128210283MD, MTZ128210283EMC

Certificate's Holder: Ningbo High Roc Mechanical & Electrical Co.,Ltd.
NO.2 Wangdong Industry Rd., Shangtian Str., Fenghua Dist.,
Ningbo Zhejiang 315500

Manufacturer: Ningbo High Roc Mechanical & Electrical Co.,Ltd.
NO.2 Wangdong Industry Rd., Shangtian Str., Fenghua Dist.,
Ningbo Zhejiang 315500

Certification
ECM Mark



Product: ELECTRIC WINCH

Model(s): *(see the following annex)*

Verification to: Standard:
EN ISO 12100:2010, EN 60204-1:2018,
EN IEC 61000-6-4:2019, EN IEC 61000-6-2:2019

related to CE Directive(s):
2006/42/EC (Machinery)
2014/30/EU (Electromagnetic Compatibility)

Remark:

The manufacturer has voluntarily decided to submit its documents concerning the above-mentioned product for verification. Ente Certificazione Macchine confirms that the documentation made available and immediately returned to it, as containing sensitive data, meets the essential requirements of the above-mentioned directive/standard. The verification activity carried out exclusively concerned the technical documentation and no verification was carried out on the product. This document cannot replace the EC Declaration of Conformity. This document was issued in accordance with regulation RGVOL01 published on the website of www.entecerma.it and concerning voluntary certifications with a non-notified procedure.

Issuance date: 12 November 2024

Expiry date: 11 November 2029

For online check:



Approver
Ente Certificazione Macchine
Legal Representative
Luca Bedonni



Ente Certificazione Macchine Srl

Via Ca' Bella, 243 – Loc. Castello di Serravalle – 40053 Valsamoggia (BO) - ITALY
☎ +39 051 6705141 📠 +39 051 6705156 ✉ info@entecerma.it 🌐 www.entecerma.it



Annex I

No. 3N241112.NHRSC88

Test Report / Technical Construction File no. MTZ128210283MD, MTZ128210283EMC

Model(s):

2000LBS, 2500LBS, 3000LBS, 3500LBS, 4000LBS, 4500LBS, 5000LBS, 5500LBS,
6000LBS, 6500LBS, 7000LBS, 7500LBS, 8000LBS, 8500LBS, 9000LBS, 9500LBS,
10000LBS, 11000LBS, 12000LBS, 12500LBS, 13000LBS, 13500LBS, 14000LBS,
14500LBS, 15000LBS, 15500LBS, 16000LBS, 16500LBS, 17000LBS, 17500LBS,
18000LBS, 18500LBS, 19000LBS, 20000LBS, 25000LBS

